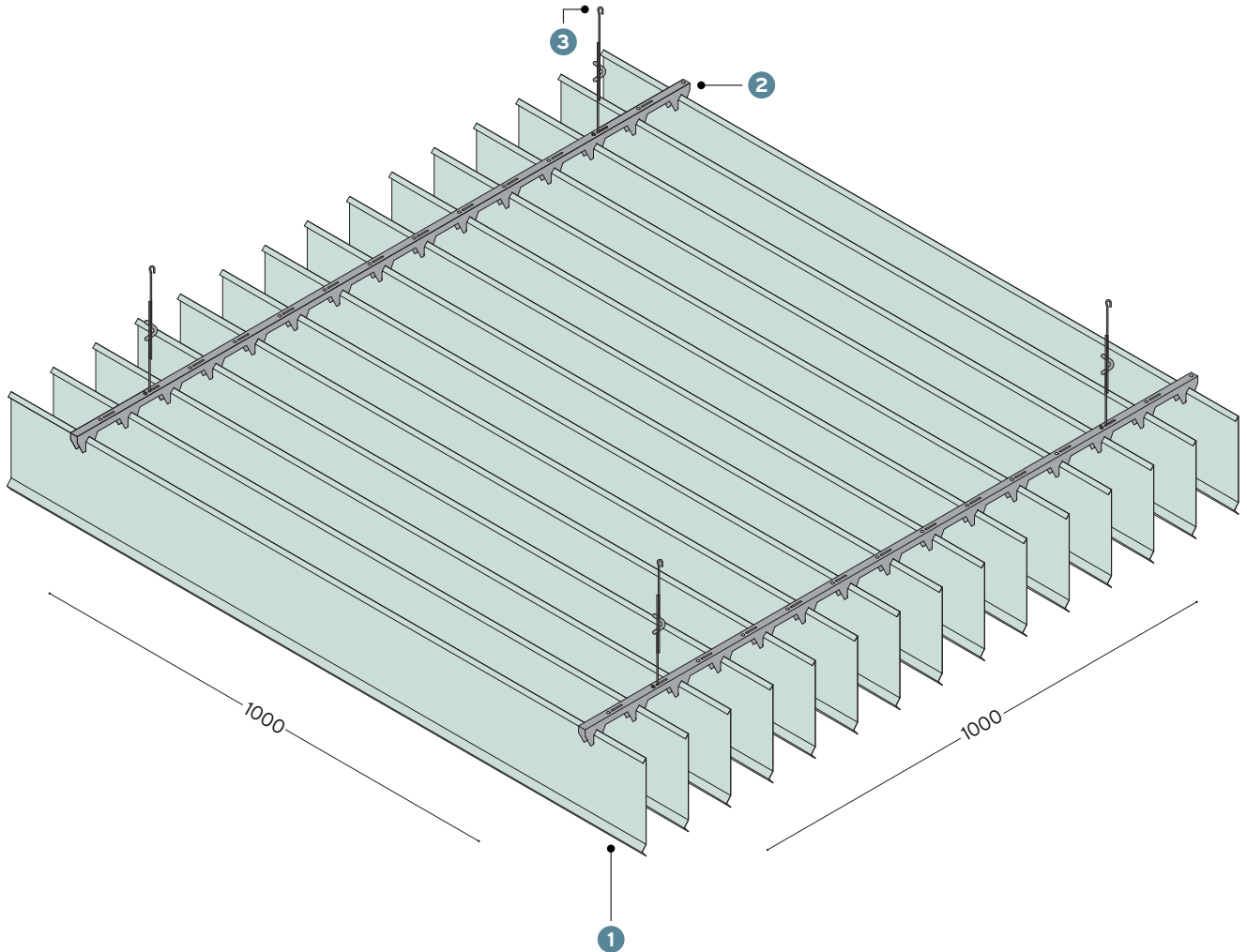


Linear strips

**VERTICAL
LAMELLA**
system



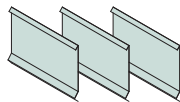
VERTICAL LAMELLA LINEAR STRIPS SYSTEM



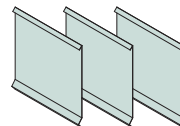
STRIP DOGA

L 6000 mm max

ST100LV
H 100 mm



ST200LV
H 200 mm



prepainted aluminium
alluminio preverniciato
thk sp. 0.5 - 0.6 - 0.7 - 0.8 mm

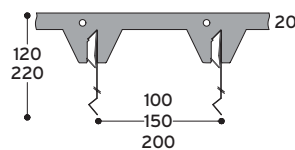
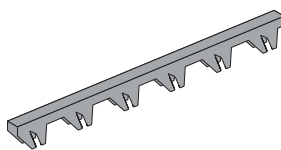
powder coated steel
acciaio postverniciato
thk sp. 0.5 - 0.6 - 0.7 mm

vertical strip painted
on both side
doga lamellare bifacciale

powder coated aluminium
alluminio postverniciato
thk sp. 0.5 - 0.6 - 0.7 - 0.8 mm

MAIN RUNNER PROFILO PORTANTE

L 4000 mm max



steel
acciaio
thk sp. 0.7 mm

colour colore
black double-sided
nero bifacciale

1

strip
doga
length lunghezza
9000 mm max

2

carrier
profilo portante

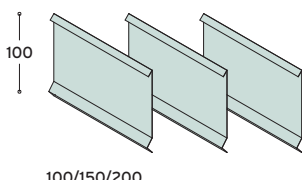
3

adjustable suspension
sospensione regolabile

STRIPS _ DOGHE			MAIN RUNNERS _ PROFILI PORTANTI		
code _ codice	type _ tipo		code _ codice	thickness _ spessore	colour _ colore

ST100LV

vertical lamelless
lamelle verticali



pitch passo	incidence	incidenza
100 mm L 6000 mm max	10 ml/mq	
150 mm L 6000 mm max	6.67 ml/mq	
200 mm L 6000 mm max	5 ml/mq	

T100/7

steel 0.7
acciaio 0.7

black double-sided
nero bifacciale



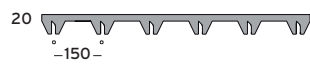
length	lunghezza	incidence	incidenza
4000 mm		0.9 ml/mq	

pcs_pz : 10

T150/7

steel 0.7
acciaio 0.7

black double-sided
nero bifacciale



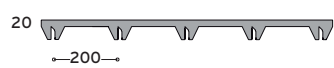
length	lunghezza	incidence	incidenza
4000 mm		0.9 ml/mq	

pcs_pz : 10

T200/7

steel 0.7
acciaio 0.7

black double-sided
nero bifacciale

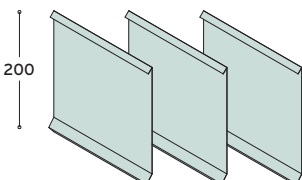


length	lunghezza	incidence	incidenza
4000 mm		0.9 ml/mq	

pcs_pz : 10

ST200LV

vertical lamelless
lamelle verticali




pitch passo	incidence	incidenza
100 mm L 6000 mm max	10 ml/mq	
150 mm L 6000 mm max	6.67 ml/mq	
200 mm L 6000 mm max	5 ml/mq	

T100/7

steel 0.7
acciaio 0.7

black double-sided
nero bifacciale




length	lunghezza	incidence	incidenza
4000 mm		0.9 ml/mq	

pcs_pz : 10

T150/7

steel 0.7
acciaio 0.7

black double-sided
nero bifacciale



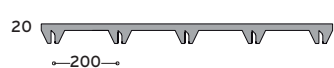
length	lunghezza	incidence	incidenza
4000 mm		0.9 ml/mq	

pcs_pz : 10

T200/7

steel 0.7
acciaio 0.7

black double-sided
nero bifacciale



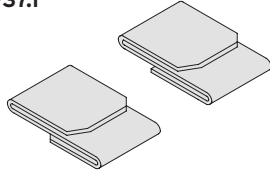
length	lunghezza	incidence	incidenza
4000 mm		0.9 ml/mq	

pcs_pz : 10

CLIP _ CLIP		CLIP _ CLIP	
code _ codice	type _ tipo	code _ codice	type _ tipo

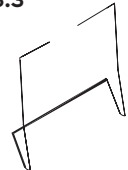
SP37.1

Clip joint
Clip di giunzione



SP38.3

Safety clip
Clip di sicurezza



COLOURS RANGE

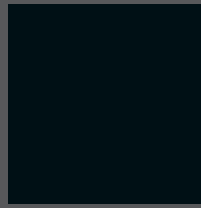
ALUMINIUM



white

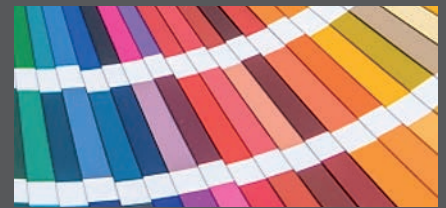


RAL 9006
silver



RAL 9005
black

STEEL / POWDER COATED



ALL RAL COLOURS

ALUMINIUM / MAT



RAL 1015
ivory



RAL 1001
beige



RAL 1021
cadmio yellow



RAL 1007
chrome yellow



RAL 2004
orange



RAL 3002
carmine red



navy blue



RAL 5017
blue



RAL 6018
pea green



RAL 6029
mint colour



RAL 8014
brown

The range of colours shown on this page is purely indicative, and we recommended that you request the samples. For other colours, please ask about the availability in stock.

For further details, refer to the bundle of RAL colours and CBI 's exclusive colours bundle, or contact the technical department at CBI Europe.

LINEAR STRIPS: design and functionality, 100% made in Italy.

CBI Europe's Linear Strips suspended ceiling system is the perfect solution for civil and industrial buildings. These highly functional architectural elements combine thermal and acoustic insulation with the ability

to integrate ventilation, lighting and security systems. The fully inspectable strips come in various modular types and designs to allow the suspended ceiling to adapt to all spaces and layouts.



AESTETICH VERSATILITY



LIMITLESS CONFIGURATION



HI-TECH PERFORMANCES

Why

VERSATILE, FUNCTIONAL, LONG LASTING AND EASY TO INSTALL: A PERFECT COMBINATION OF TECHNOLOGY AND DESIGN THAT GUARANTEES HYGIENE AND STRENGTH.

Where

LARGE PUBLIC SPACES - HALLS, SHOPPING CENTRES, AIRPORTS, BANKS, OFFICES, CORRIDORS, STERILE ENVIRONMENTS, THEATRES, CANTEENS, HOSPITALS - OUTDOORS AND INDOORS.

Benefit

- **ACHIEVING FLEXIBLE, COMFORTABLE, CONTEMPORARY AND RESPONSIBLE INTERIORS.**
- **OBTAINING POINTS FOR LEED CERTIFICATION.**
- **SOUNDPROOFED ENVIRONMENTS.**
- **SPEEDING UP CONSTRUCTION.**
- **CONTAINING COSTS OF LABOUR AND MAINTENANCE.**
- **STRUCTURES 100% INSPECTABLE.**
- **INTEGRATION WITH ADVANCED CLIMATE CONTROL, DOMOTICS AND LIGHTING.**
- **PRECISE BUDGETING.**



FIRE REACTION

Including versions incorporating sound-absorbing non-woven fabric, are non-flammable according to the Italian Ministerial Decree of the 15th march 2005, and therefore conform to Euroclass A1 fire reaction requirements (only for not perforated panels).



HYGIENE

Easy to wash and sterilise. On request, they can also be supplied in a special fungicidal and bactericidal paint finish. We recommend hermetically sealed, Down Clip 200 System Metal Ceilings for use in operating theatres and pharmaceutical industries. All other types of metal suspended ceilings are ideal for use in kitchens, canteens, hospitals and schools. They also provide valuable protection against dust in industries producing delicate electronic circuits. Tests carried out under ISO 22196 ensure the reduction of the microbial population > 95% after 24 hours.



HUMIDITY RESISTANCE

Maintain their dimensional stability even under extreme ambient conditions, and can therefore be installed in environments characterised by high levels of relative humidity and large variations in temperature. For outdoor installations, please contact CBI Europe's Technical Department.



PAINTWORK

Suspended ceilings in pre-painted aluminium and hot-galvanised and pre-painted FePO2 steel are coil-coated with primer and polyester paint to a thickness of 25 microns. Suspended ceilings in electro-galvanised and post-painted FePO2 steel are electrostatically coated with resin based, thermosetting, polyester powder paints to a thickness of 60 microns.



LIGHT REFLECTANCE

All metal suspended ceilings finished in white and unperforated > 85% have a standard gloss level of 20.



INTEGRATED ACCESSORIES

All metal suspended ceilings can be fitted with accessories such as lighting units, ventilation vents, smoke detectors, sprinklers and suspended signage



FASTNESS

The systems are designed to guarantee rapid installation, speeding up the installation phases and respecting all the requirements of planarity and orthogonality.



ACOUSTIC ABSORPTION

Ceilings and coverings combine acoustic performance, comfort and aesthetics with adequate absorption values. Upon request they can be supplied with certifications issued by independent companies.



LEED CERTIFICATION

All products are manufactured in certified and constantly monitored processes to guarantee the highest standards of quality and safety.



ANTI-SEISMIC

The systems guarantee the application of all good safety practices in the construction and development of dedicated projects. Upon request, they can be supplied with an anti-seismic reports, which indicate suitable bracing.